

Lightology

lightology.com
866-954-4489
04-25-26

Project: _____
 Company: _____
 Location: _____ Fixture Type: _____
 SPEC #: **HMR968180**
 Approved On: _____ Approved By: _____

Axis Moda Triple Linear Pendant By Hammerton Studio



Description

The Axis Moda Triple Linear Pendant is an eye catching use of recycled glass to create functional art. Is it ice or diamonds, you decide. Pairing hand polished metalwork with thick artisan cast glass and excess materials from glassblowing creates the unique characteristics of this luxury light that will dramatically refract light in surprising ways.

Specifications

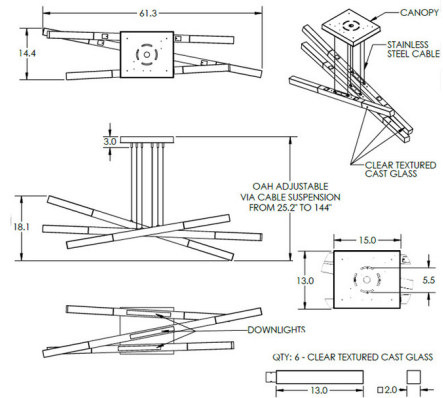
COLOR Clear Cast Glass
 BODY FINISH Matte Black
 WATTAGE 46.8W
 DIMMER Low Voltage Electronic
 DIMENSIONS 61.3"L x 14.4"W x 18.1"H
 INTEGRATED LED MODULE 18 x LED/2.6W/120V LED

Technical Information

PRODUCT DIMENSIONS Min/Max Adjustable Length: 25.2" - 144"
 COLOR RENDERING 93 CRI
 LAMP COLOR 2700K
 LUMENS/WATT 2,076.92
 LUMINOUS FLUX 5400 lumens



Shown in matte black / clear cast glass



CLICK TO VIEW PRODUCT

Notes: