

Lightology

lightology.com
866-954-4489
06-15-26

Project: _____

Company: _____

Location: _____ Fixture Type: _____

SPEC #: **MAX968877**

Approved On: _____ Approved By: _____

Perf Flush Mount By Maxim Lighting

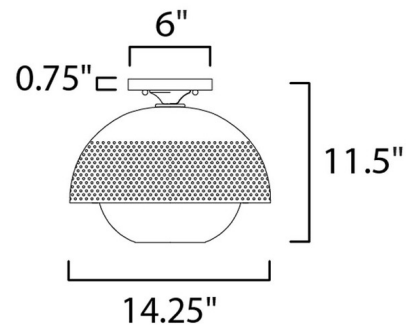


Description

The Perf Flush Mount features a spherical glass shade housed within a Matte Black perforated metal shade with Satin Brass accents. The blown glass globe provides pleasant surface diffusion while casting an optimal level of downlight. The additional metal spun shade features a perforated detailing, producing a unique dappled effect.



Shown in satin brass / black



Specifications

COLOR	Black
BODY FINISH	Satin Brass
WATTAGE	8W
DIMMER	Standard 120V
DIMENSIONS	14.25"W x 11.5"H
BULB NOT INCLUDED	1 x A19/Medium (E26)/8W/120V LED
OTHER BULB OPTIONS	1 x A19/Medium (E26)/120V LED 1 x A19/Medium (E26)/60W/120V Incandescent



CLICK TO VIEW PRODUCT

Notes: