

# Lightology

lightology.com  
866-954-4489  
04-28-26

Project: \_\_\_\_\_

Company: \_\_\_\_\_

Location: \_\_\_\_\_ Fixture Type: \_\_\_\_\_

SPEC #: **MAX968966**

Approved On: \_\_\_\_\_ Approved By: \_\_\_\_\_

## Wings Wall Sconce By Maxim Lighting

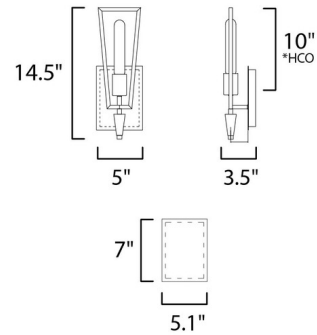


### Description

The Wings Wall Sconce puts a contemporary twist on midcentury design. Sharp lines extend from the Wings backplate, creating a geometric angled wing that is finished with a conical finial. Finished in a combination Antique Brass and Black. ADA Compliant. ETL Listed.



Shown in satin brass / black



\*height from center of outlet to the top of the fixture

### Specifications

COLOR	Black
BODY FINISH	Satin Brass
WATTAGE	60W
DIMMER	Standard 120V
DIMENSIONS	5"W x 14.5"H x 3.5"D
BULB NOT INCLUDED	1 x Edison Tube/Medium (E26)/60W/120V Incandescent
OTHER BULB OPTIONS	1 x Edison Tube/Medium (E26)/120V LED

### Technical Information

PRODUCT DIMENSIONS	Backplate: 5.1"W x 7"H
--------------------	------------------------



CLICK TO VIEW PRODUCT

Notes: