

Lightology

lightology.com
866-954-4489
04-12-26

Project: _____
Company: _____
Location: _____ Fixture Type: _____
SPEC #: **MLL969631**
Approved On: _____ Approved By: _____

Industrial Pendant By Modern Lighting

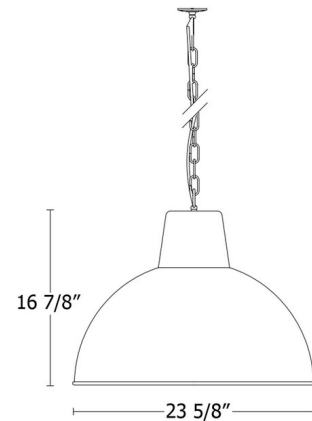


Description

The Industrial Pendant features a Black finish and shade with a Copper lining that provides a warm glow. Perfect over islands and other dining spaces, alone or in a group. ETL listed.



Shown in black / black



Specifications

COLOR	Black
BODY FINISH	Black
WATTAGE	100W
DIMMER	Standard 120V
DIMENSIONS	23.6"W x 16.9"H
BULB NOT INCLUDED	1 x A19/Medium (E26)/100W/120V Incandescent
OTHER BULB OPTIONS	1 x A19/Medium (E26)/11W/120V LED

Technical Information

PRODUCT DIMENSIONS	Chain Length: 156"
--------------------	--------------------



CLICK TO VIEW PRODUCT

Notes: