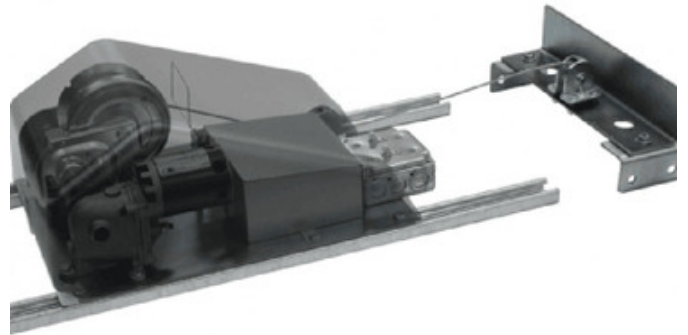




**BRAND** Aladdin Light Lift

**DESCRIPTION**

The Chandelier Lift Residential Grade Remote Mount features a plastic dust cover, a 25ft romex wire, a 65ft winch cable, a Chandelier Pulley Assembly, and a 50ft controller wire. Use for maximum fixture weight of 200 lbs, 300 lbs, 700 lbs or 1000 lbs. Remote Mount light lift to be used in limited access installations. Motor mounts in accessible locations up to 25' away from fixture location. The options for 200 or 300 pound fixtures are mounted on two 36in channel struts and available with a Keyswitch controller and 1650 a watt capacity. The options for 700 or 1000 pound fixtures are mounted on three or four 38in channel struts and available with a SmartLift controller (programmable key switch) and a 2200 watt capacity. 110 Volt. Residential Grade. UL Listed.



*Shown in: Galvanized*

<b>SHADE COLOR</b>	N/A
<b>BODY FINISH</b>	Galvanized
<b>WATTAGE</b>	N/A
<b>DIMMER</b>	N/A
<b>DIMENSIONS</b>	14"W x 9"H x 19"D
<b>LAMP</b>	N/A

*Technical Information*

**PRODUCT DIMENSIONS** Light Watt Capacity: 1650

**SPEC #** ADD969651

COMPANY	PROJECT	FIXTURE TYPE	APPROVED BY	DATE