



BRAND

DALS Lighting

DESCRIPTION

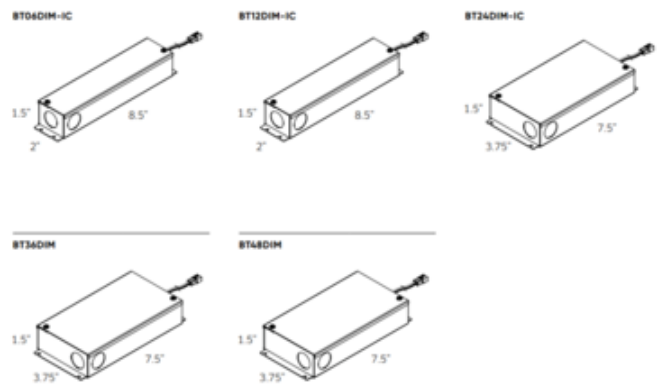
The 12 Volt AC Dimmable LED Hardwire Driver is a constant voltage mode power supply designed for use with DALS 12V products. Integrated junction box for hardwire installation. Optimal dimming when used at 50 percent or more of total load. Input voltage: 100VAC-230VAC, 50/60Hz. Output voltage: 12V DC. Dimmable with a Triac or electronic low voltage (ELV) dimmer.



Shown in: White

| | |
|--------------------------|------------------------|
| SHADE COLOR | N/A |
| BODY FINISH | White |
| WATTAGE | 12W |
| DIMMER | Low Voltage Electronic |
| DIMENSIONS | 8.5"W x 1.5"H x 2"D |
| BULB NOT INCLUDED | |
| LAMP | N/A |

SPEC # DLS969812



| COMPANY | PROJECT | FIXTURE TYPE | APPROVED BY | DATE |
|---------|---------|--------------|-------------|------|
| | | | | |