

Lightology

lightology.com
866-954-4489
05-19-26

Project: _____

Company: _____

Location: _____ Fixture Type: _____

SPEC #: **ELE9713**

Approved On: _____ Approved By: _____

Aero Freejack Head

By Visual Comfort Architectural



Description

The Aero Freejack Head is a sleek, streamlined head which rotates 360 degrees and pivots 260 degrees to direct the beam. Available in three stem lengths. The removable handle extension on the back serves as a functional addition assisting with pivots and rotations. Shade accessories allow you to create the ideal custom element.

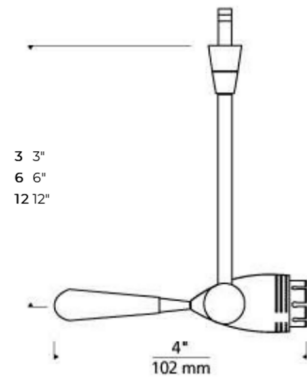
Compatible for use with 1-circuit Monorail track system, Wall Monorail or Freejack canopy.

Includes Freejack connector. Freejack canopy required if used as a monopoint, sold separately.

LED canopy compatible with both halogen and LED lamp options. Dimmer type dependent on system transformer (low voltage magnetic or electronic). Note: A shade accessory is required, and sold separately.



Shown in satin nickel



Specifications

SHADE COLOR	N/A
BODY FINISH	Satin Nickel
WATTAGE	7W
DIMMER	Dimmable
DIMENSIONS	3"L x 4"H
BULB NOT INCLUDED	1 x MR16/GU5.3 (bipin)/7W/12V LED



CLICK TO VIEW PRODUCT

Notes: