

# Lightology

lightology.com  
866-954-4489  
04-25-26

Project: \_\_\_\_\_

Company: \_\_\_\_\_

Location: \_\_\_\_\_ Fixture Type: \_\_\_\_\_

SPEC #: **FAL977846**

Approved On: \_\_\_\_\_ Approved By: \_\_\_\_\_

## Elevate Plume Linear Pendant By Fine Art Handcrafted Lighting



### Description

The Elevate Plume Linear Pendant raises your room to new heights with its shimmering feathers that reflect light and shadows across your space. Each Plume is hand blown and sculpted with a translucent mixture to create Crystal White or Crystal Dichroic. Canopy: 48 inch x 11 inch rectangle. Not suitable for vaulted ceilings.

### Specifications

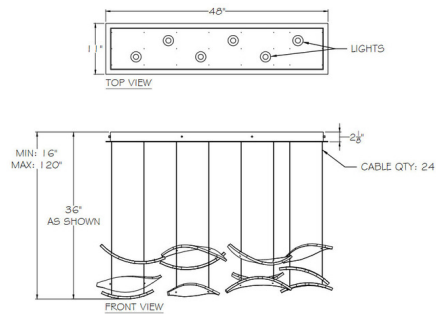
COLOR . . . . . Crystal White  
 BODY FINISH . . . . . Gold Leaf  
 WATTAGE . . . . . 18W  
 DIMMER . . . . . Low Voltage Electronic  
 DIMENSIONS . . . . . 51"L x 11"W x 36"H  
 INTEGRATED LED MODULE . . . . . 6 x LED/3W/120V LED  
 COUNTRY OF ORIGIN . . . . . United States

### Technical Information

PRODUCT DIMENSIONS . . . . . Adjustable Max Height: 120"  
 LUMENS/WATT . . . . . 850.00  
 LUMINOUS FLUX . . . . . 2550 lumens



Shown in gold leaf / crystal white



CLICK TO VIEW PRODUCT

Notes: