

Lightology

lightology.com
866-954-4489
04-04-26

Project: _____

Company: _____

Location: _____ Fixture Type: _____

SPEC #: **VIT979840**

Approved On: _____ Approved By: _____

Jazz Pendant By Umage

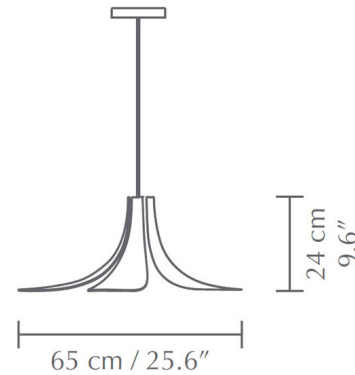


Description

The Jazz Pendant, designed in Denmark by Magnus Nero and Ingemar Jonsson, is inspired by the flowing lines of the frangipani flower and the classic gramophone horn. Crafted from veneer, this piece is perfect in a variety of interior spaces. Plug in option includes shade, socket assembly, 10 foot cord and plug.



Shown in white / oak



Specifications

COLOR Oak
BODY FINISH White
WATTAGE 15W
DIMMER Standard 120V
DIMENSIONS 25.6\"W x 9.5\"H
BULB NOT INCLUDED 1 x A19/Medium (E26)/15W/120V LED

Technical Information

PRODUCT DIMENSIONS Cord Length: 120\"



CLICK TO VIEW PRODUCT

Notes: