

# Lightology

lightology.com  
866-954-4489  
04-27-26

Project: \_\_\_\_\_  
Company: \_\_\_\_\_  
Location: \_\_\_\_\_ Fixture Type: \_\_\_\_\_  
SPEC #: **RGN982339**  
Approved On: \_\_\_\_\_ Approved By: \_\_\_\_\_

## Nabu Table Lamp By Regina Andrew



### Description

The Nabu Table Lamp has a tactile white finish on its metal column that accentuates its accordion-like base. Its simple, yet artisan feel would make for a beautiful welcome in an entryway or in a pair as bedside lighting. 3-way on/off cast turn knob on socket. CSA and UL listed.

### Specifications

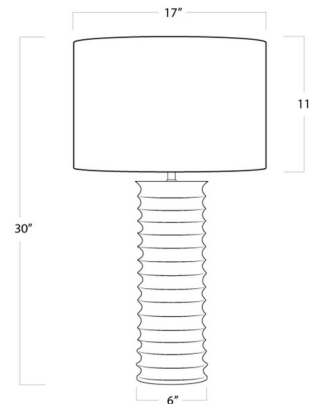
COLOR . . . . . White  
BODY FINISH . . . . . White  
WATTAGE . . . . . 15W  
DIMMER . . . . . Included  
DIMENSIONS . . . . . 17"W x 30"H x 17"D  
BULB NOT INCLUDED . . . . . 1 x A19 3-Way/Medium (E26)/15W/120V LED  
COUNTRY OF ORIGIN . . . . . India

### Technical Information

PRODUCT DIMENSIONS . . . . . Cord Length: 96"



Shown in white / white



CLICK TO VIEW PRODUCT

Notes: