



BRAND

Regina Andrew

DESCRIPTION

The Hilton Pendant is an elegantly modern take on task lighting. A conical shade, finished in Black or White, is adorned with Natural Brass details that add warmth to the pendant, while a Milk Glass globe gently softens the emitted light to create a subtle glow. Place the Hilton over the kitchen sink. UL listed.



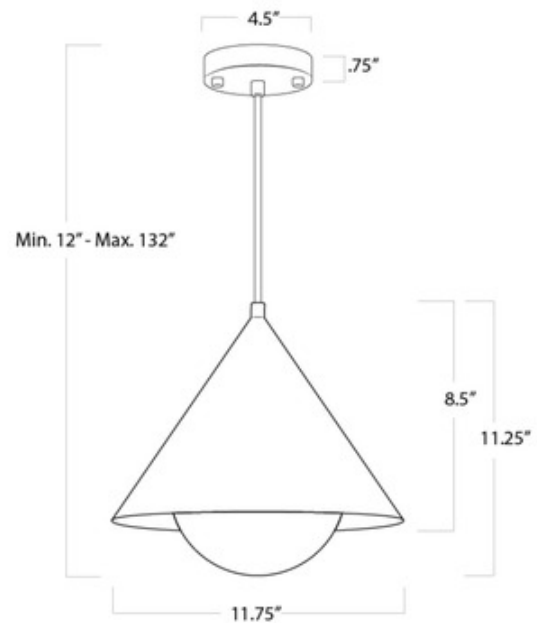
Shown in: Black / Opal

SHADE COLOR	Opal
BODY FINISH	Black
WATTAGE	60W
DIMMER	Standard 120V
DIMENSIONS	11.75"W x 11.25"H
BULB NOT INCLUDED	
LAMP	1 x A19/Medium (E26)/60W/120V Incandescent 1 x A19/Medium (E26)/120V LED

Technical Information

PRODUCT DIMENSIONS	Max Overall Height: 132"
---------------------------	--------------------------

SPEC #	RG982544
---------------	----------



COMPANY	PROJECT	FIXTURE TYPE	APPROVED BY	DATE