

Lightology

lightology.com
866-954-4489
05-16-26

Project: _____

Company: _____

Location: _____ Fixture Type: _____

SPEC #: **RAB982718**

Approved On: _____ Approved By: _____

Ferdinand Floor Lamp

By Robert Abbey



Description

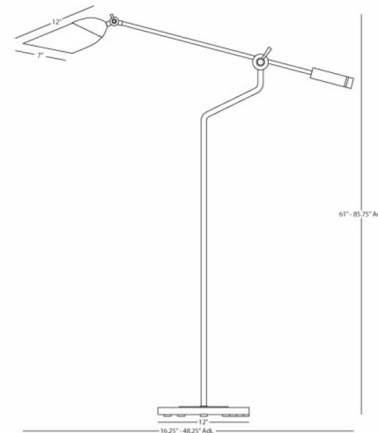
The Ferdinand Floor Lamp features contrasting metal and an elegantly tapered, frosted glass shade to provide pleasant, softly diffused light. Includes full range dimmer switch. UL listed.

Specifications

COLOR	Frosted
BODY FINISH	Polished Nickel
WATTAGE	60W
DIMMER	Included
DIMENSIONS	12"W x 61"H
BULB NOT INCLUDED	1 x A19/Medium (E26)/60W/120V Incandescent
OTHER BULB OPTIONS	1 x A19/Medium (E26)/120V LED
COUNTRY OF ORIGIN	China



Shown in polished nickel / frosted



CLICK TO VIEW PRODUCT

Notes: