

Lightology

lightology.com
866-954-4489
06-29-26

Project: _____

Company: _____

Location: _____ Fixture Type: _____

SPEC #: **ZFF983111**

Approved On: _____ Approved By: _____

Poldina Rechargeable Wall Sconce With Bracket

By Zafferano America



Description

The Poldina Portable Wall Sconce With Bracket presents the latest word in wall-mounted lighting. Smooth-sided aluminum extends a stem from the small wall plate, suspending rechargeable LED lamping set under a flared shade at the center of an open ring. The illumination provided is potent, though somewhat eased by a polycarbonate diffuser, and is able to function for 10 hours per charge. Charging time approximately 6-8 hours. The lamp's color temperature can be switched between 2200K, 2700K and 3000K (234-251-256 lumens). Touch dimmer. Suitable for indoor/outdoor (IP54) use. The magnetic head can be removed from the body to allow for convenient charging with included contact charging base.

Specifications

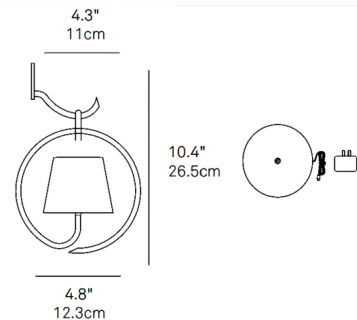
COLOR N/A
BODY FINISH White
WATTAGE 2.2W
DIMMER Included
DIMENSIONS 7.8"W x 10.44"H x 4.9"D
INTEGRATED LED MODULE 1 x LED/2.2W/120V LED
COUNTRY OF ORIGIN China

Technical Information

COLOR RENDERING 80 CRI
LAMP COLOR CCT Select
LUMENS/WATT 116.36
LUMINOUS FLUX 256 lumens



Shown in white



Wall sconce with mounting hook and decorative ring

ACCESSORIES INCLUDED

Contact charging base
120V AC Adaptor Plug



CLICK TO VIEW PRODUCT

Notes: