

Lightology

lightology.com
866-954-4489
07-08-26

Project: _____
 Company: _____
 Location: _____ Fixture Type: _____
 SPEC #: **EDG983386**
 Approved On: _____ Approved By: _____

Vanishing Point Scope for Millwork with Power By PureEdge Lighting



Description

The Vanishing Point Millwork Fast Jack 12V Scope Head with integrated LED features a 2 inch canopy which sits flush in millwork ceilings. Includes a 120-12VAC electronic low voltage (ELV) power supply. The cool-to-the-touch rotating lens allows adjustment of the beam angle from a 20 degree spot to a 50 degree flood while the fixture is illuminated. Die cast aluminum. 1 inch stem length. 90 degree tilt/360 degree rotation. ETL listed. Suitable for damp locations. Title 24 compliant. Product is built to order. Note: Limited quantities available.



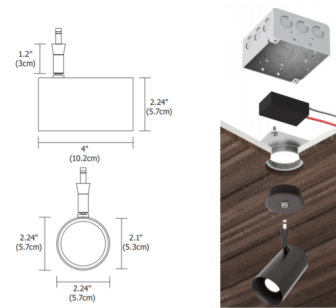
Shown in antique bronze

Specifications

COLOR	N/A
BODY FINISH	Antique Bronze
WATTAGE	9W
DIMMER	Low Voltage Electronic
DIMENSIONS	1"L x 2.24"W x 4"H
INTEGRATED LED MODULE	1 x LED/9W/120V LED

Technical Information

LAMP LIFE	60000 hours
BEAM ANGLE	50°
COLOR RENDERING	92 CRI
LAMP COLOR	3000K
LUMENS/WATT	40.00
LUMINOUS FLUX	360 lumens



VPMP-FJ12
Vanishing Point 12V Fast Jack Canopy for Millwork with Power



CLICK TO VIEW PRODUCT

Notes: