

Lightology

lightology.com
866-954-4489
04-25-26

Project: _____
 Company: _____
 Location: _____ Fixture Type: _____
 SPEC #: **EDG983417**
 Approved On: _____ Approved By: _____

Vanishing Point Radiant for Millwork with Power By PureEdge Lighting



Description

The Vanishing Point Millwork Fast Jack 24V Radiant Head with integrated LED features a 2 inch canopy which sits flush in millwork ceilings. Available in two sizes. Includes a 120-24VAC electronic low voltage (ELV) power supply. Available in two sizes. Offered in five color temperature options including Warm Dim (3000K-1800K) with (Medium) 20, 40 or 60 degree beam angle options or (Large) 15, 25, 40 or 60 degree beam angle options. Die cast aluminum with finish in Black. 90 degree tilt/360 degree rotation. ETL listed. Title 24 compliant. Product is built to order. NOTE: RADIANT MEDIUM NOT AVAILABLE IN NARROW FLOOD BEAM ANGLE.

Specifications

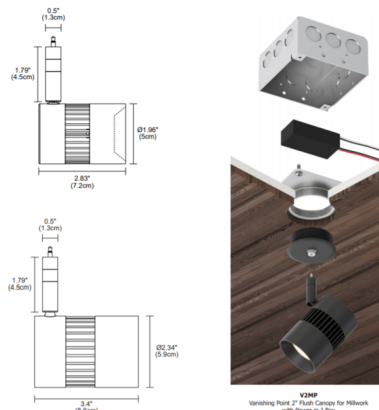
COLOR	N/A
BODY FINISH	Black
WATTAGE	11W
DIMMER	Low Voltage Electronic
DIMENSIONS	1.96"W x 2.83"H
INTEGRATED LED MODULE	1 x LED/11W/120V LED

Technical Information

LAMP LIFE	60000 hours
BEAM ANGLE	20°
COLOR RENDERING	93 CRI
LAMP COLOR	2400K
LUMENS/WATT	78.82
LUMINOUS FLUX	867 lumens



Shown in black



CLICK TO VIEW PRODUCT

Notes: