

# Lightology

lightology.com  
866-954-4489  
04-24-26

Project: \_\_\_\_\_  
 Company: \_\_\_\_\_  
 Location: \_\_\_\_\_ Fixture Type: \_\_\_\_\_  
 SPEC #: **EDG983489**  
 Approved On: \_\_\_\_\_ Approved By: \_\_\_\_\_

## Vanishing Point Scope for Millwork with Remote Power By PureEdge Lighting



### Description

The Vanishing Point Millwork 12V Fast Jack Scope Head with integrated LED features a 2 inch canopy which sits flush in millwork ceilings. Requires a 120-12V remote power supply, sold separately. Available in 3000K color temperature. Features cool-to-the-touch rotating lens which allows adjustment of the beam angle from a 20 degree spot to a 50 degree flood while the fixture is illuminated. Die cast aluminum with finish in White, Satin Nickel or Antique Bronze. 90 degree tilt/360 degree rotation. ETL listed. Title 24 compliant. Note: Required 120-12V 60 watt remote electronic low voltage (ELV) up to 15 feet away or 300 watt magnetic low voltage (MLV) remote power supply up to 40 feet away, sold separately. Note: Limited quantities available.

### Specifications

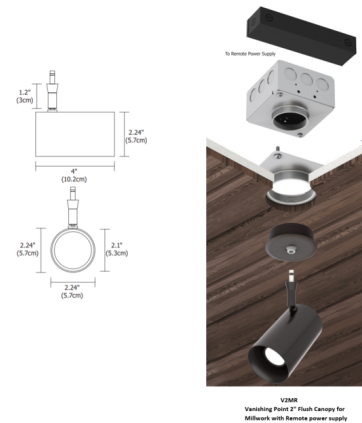
COLOR	N/A
BODY FINISH	Satin Nickel
WATTAGE	9W
DIMMER	Low Voltage Electronic
DIMENSIONS	2.24"W x 4"H
INTEGRATED LED MODULE	1 x LED/9W/12V LED

### Technical Information

LAMP LIFE	60000 hours
BEAM ANGLE	50°
COLOR RENDERING	92 CRI
LAMP COLOR	3000K
LUMENS/WATT	40.00
LUMINOUS FLUX	360 lumens



Shown in satin nickel



CLICK TO VIEW PRODUCT

Notes: