

# Lightology

lightology.com  
866-954-4489  
07-11-26

Project: \_\_\_\_\_

Company: \_\_\_\_\_

Location: \_\_\_\_\_ Fixture Type: \_\_\_\_\_

SPEC #: **MAR984206**

Approved On: \_\_\_\_\_ Approved By: \_\_\_\_\_

## Chispa Portable Lantern

By Marset



### Description

The Chispa Portable Lantern is a rechargeable cordless lamp that evokes the design of a garage lamp, but a high quality one. With a sophisticated design that conveys a warm light and has a structure that is protected by a grate that surrounds the light source making it an original and one of a kind lamp for your outdoor spaces. Includes a rope cord with metal hook that allows you to easily hang the fixture. Available with an Orange, Blue, Green or Black finish. Charging time is 10 hours. Includes three preset dimming options. Battery life is 7-28 hours depending on dimming level. Damp locations listed. NOTE: Ships with only a USB-C charging cord which can be used with any USB port to charge the fixture's battery. No wall plug is included.

### Specifications

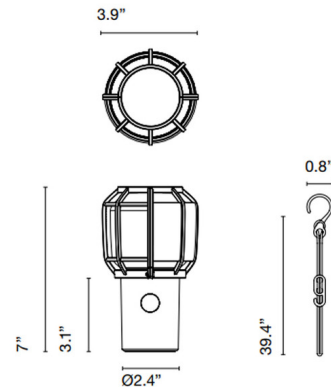
COLOR . . . . . White  
BODY FINISH . . . . . Black  
WATTAGE . . . . . 3.5W  
DIMMER . . . . . Included  
DIMENSIONS . . . . . 3.9"W x 7"H  
INTEGRATED LED MODULE . . . . . 1 x LED/3.5W/5V LED  
COUNTRY OF ORIGIN . . . . . Spain

### Technical Information

PRODUCT DIMENSIONS . . . . . Cord Length: 39.40"  
COLOR RENDERING . . . . . 90 CRI  
LAMP COLOR . . . . . 2700K  
LUMENS/WATT . . . . . 31.43  
LUMINOUS FLUX . . . . . 110 lumens



Shown in black / white



CLICK TO VIEW PRODUCT

Notes: