

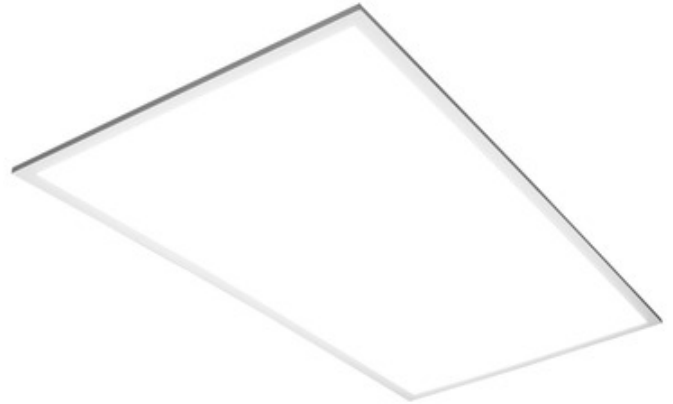


BRAND

TCP

DESCRIPTION

The 2X4 High Efficiency Flat Panel features a low-profile design, edge-lit technology, a 120 beam angle, and a frosted white diffuser. Great alternative to traditional fluorescent troffers. Designed for easy drop into T-bar grid ceilings. Includes an LED Driver with integrated junction box. Available in three color temperatures and two different wattages. Optional accessories sold separately. IP20 Rated. DLC 4.4 Premium. IC rated. UL listed for damp location.



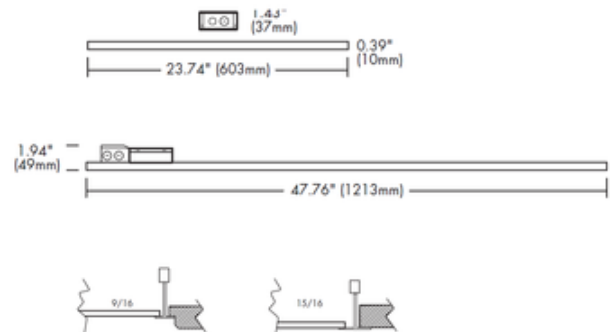
Shown in: White / Frosted

SHADE COLOR	Frosted
BODY FINISH	White
WATTAGE	23W
DIMMER	0-10V
DIMENSIONS	47.76"L x 23.74"W x 0.39"H
INTEGRATED LED MODULE	
LAMP	1 x LED/23W/120-277V LED

Technical Information

LUMINOUS FLUX	3250 lumens
LUMENS/WATT	141.30
LAMP COLOR	3500K
LAMP LIFE	50000 hours

SPEC # TCP989404



COMPANY	PROJECT	FIXTURE TYPE	APPROVED BY	DATE