



BRAND

TCP

DESCRIPTION

The UFO High Bay Light features a heavy duty die-cast aluminum housing, clear impact-resistant acrylic lens, durable black powder coat finish. These LED luminaires instantly deliver brilliant white light, eliminating long warm-up times experienced with HID fixtures. Hangs from an included eye bolt. Includes a 6 foot power cord. Power cord and dimming leads extend from the top. DLC 5.0 Premium. UL listed for wet locations (IP65).

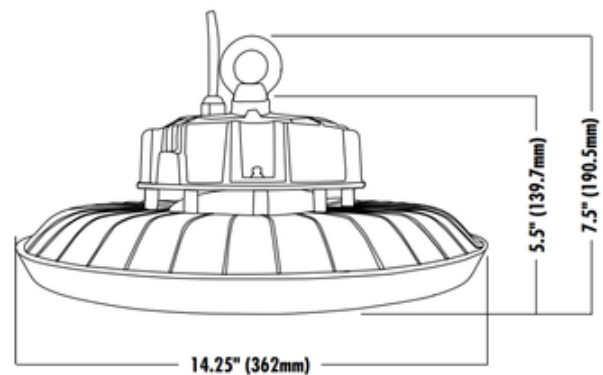


SHADE COLOR	N/A
BODY FINISH	Black
WATTAGE	240W
DIMMER	0-10V
DIMENSIONS	14.25"W x 5.5"H
INTEGRATED LED MODULE	
LAMP	1 x LED/240W/120-277V LED

Technical Information

LUMINOUS FLUX	34800 lumens
LUMENS/WATT	145.00
LAMP COLOR	4000K
COLOR RENDERING	90 CRI

SPEC # TCP989448



COMPANY	PROJECT	FIXTURE TYPE	APPROVED BY	DATE