

Lightology

lightology.com
866-954-4489
04-06-26

Project: _____
 Company: _____
 Location: _____ Fixture Type: _____
 SPEC #: **MDO990548**
 Approved On: _____ Approved By: _____

Angelica Plug-in Swing Arm Wall Sconce By ModoLuce

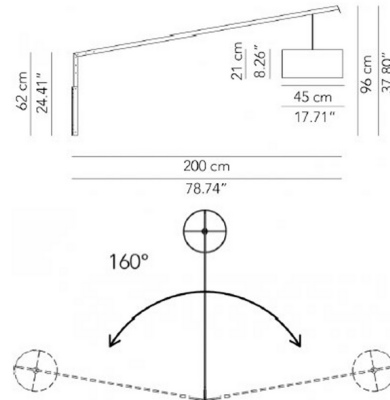


Description

The Angelica Swing Arm Wall Sconce brings a play of light and balance to your space. The long cantilever sweeping arm is perfect when you want a bold statement piece to direct light where you desire. On/Off switch is located on the cord.
 NOTE: This is a discontinued model and limited to quantity on hand.



Shown in black / black



Specifications

COLOR	Black / Black
BODY FINISH	N/A
WATTAGE	9W
DIMMER	Standard 120V
DIMENSIONS	17.71"W x 37.8"H x 78.74"D
BULB NOT INCLUDED	1 x A19/Medium (E26)/9W/120V LED
COUNTRY OF ORIGIN	Italy



CLICK TO VIEW PRODUCT

Notes: