

Lightology

lightology.com
866-954-4489
04-21-26

Project: _____

Company: _____

Location: _____ Fixture Type: _____

SPEC #: **IFA991461**

Approved On: _____ Approved By: _____

Reporter Wall Sconce

By Il Fanale

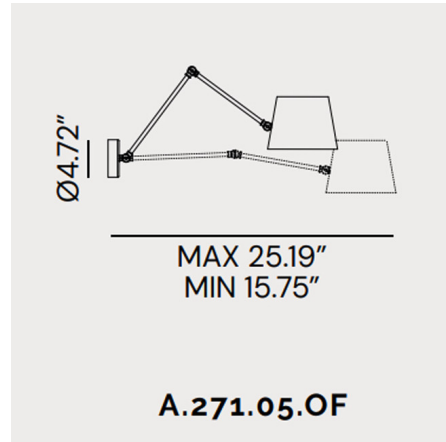


Description

The Reporter Wall Sconce offers a strong aesthetic impact. Create different perspectives with the Reporter's flexibility that allows the user to direct the emitted light. The mechanical movement of the frame rings true to an industrial aesthetic. Hinge allows the lamp to be adjusted to various angles. Includes canopy for US installation. UL listed.



Shown in antique iron



Specifications

COLOR	N/A
BODY FINISH	Antique Iron
WATTAGE	40W
DIMMER	Standard 120V
DIMENSIONS	8.66"W x 6.3"H x 15.75"D
BULB NOT INCLUDED	1 x A19/Medium (E26)/40W/120V Incandescent
OTHER BULB OPTIONS	1 x A19/Medium (E26)/120V LED



CLICK TO VIEW PRODUCT

Notes: