



BRAND

LZF

DESCRIPTION

The Eris Table Lamp is named for the planet, bringing an abstract and ethereal beauty to your interior space. A single orb of hand blown borosilicate glass by Eduardo Garuti envelopes a wood veneer tube that projects light upward and is capped on the opposite end by a metal base in Matte Black or Aluminum. Available in Ivory White Wood, Pale Rose Wood, Natural Beech Wood, or Natural Cherry Wood. In-line dimming switch on cord. UL and cUL listed.



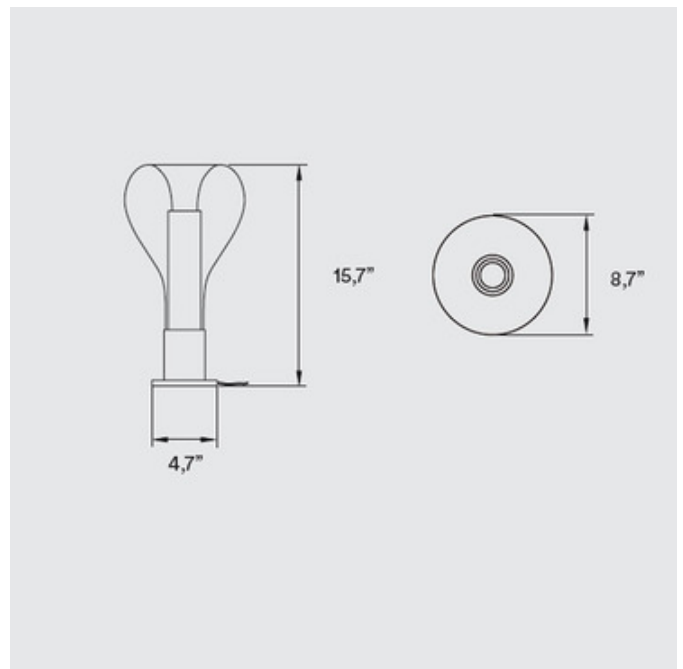
Shown in: Aluminum / Ivory White

SHADE COLOR	Ivory White
BODY FINISH	Aluminum
WATTAGE	2W
DIMMER	Included
DIMENSIONS	8.7"W x 15.7"H
BULB NOT INCLUDED	
LAMP	1 x MR16/GU10/2W/120V LED

Technical Information

PRODUCT DIMENSIONS	Cord: 57"
---------------------------	-----------

SPEC # LZF991956



COMPANY	PROJECT	FIXTURE TYPE	APPROVED BY	DATE