

Lightology

lightology.com
866-954-4489
07-06-26

Project: _____

Company: _____

Location: _____ Fixture Type: _____

SPEC #: **LZF992064**

Approved On: _____ Approved By: _____

Maruja Pendant By LZF



Description

The Maruja Pendant is both strong and feminine, unfussy and decorative. Its bold design will be perfect in a variety of styles. This do it yourself lamp comes with all components and is easy to assemble. Wood veneer strips in several sizes, a circular frame, and pins. Maruja is easily constructed, without the need for any tools or adhesives. Using a pin, each wooden strip is clipped onto the circular frame. Insert a light bulb, and you will have created your perfect piece. The wood veneer strips hang and move freely. Available with a Matte Black canopy and black cable, Matte White canopy and white cable, or Brushed Nickel canopy with transparent cable. Assembly required.

Specifications

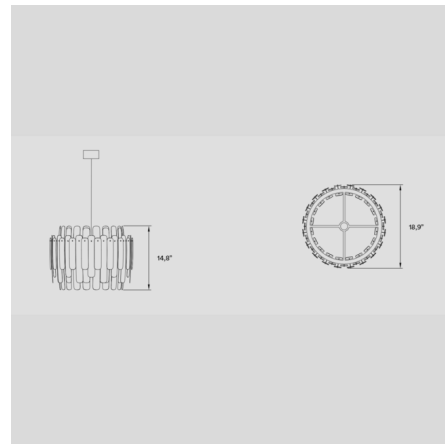
COLOR Sea Blue
BODY FINISH Matte Black
WATTAGE 15W
DIMMER Standard 120V
DIMENSIONS 18.9"W x 14.2"H
BULB NOT INCLUDED 1 x G25/Medium (E26)/15W/120V LED
COUNTRY OF ORIGIN Spain

Technical Information

PRODUCT DIMENSIONS Canopy: 4.5" diameter



Shown in matte black / sea blue



CLICK TO VIEW PRODUCT

Notes: