

Lightology

lightology.com
866-954-4489
04-27-26

Project: _____
Company: _____
Location: _____ Fixture Type: _____
SPEC #: **NSL992199**
Approved On: _____ Approved By: _____

Work Light High Power 120V By National Specialty Lighting



Description

The Work Light High Power 120V features a temporary light solution for illuminating industrial and commercial worksites or the hobby garage. Available with a 360 degree beam angle, an internal driver, a hollow heat sink, and a 6KV/10KV surge protection. Includes a stainless steel guard, a 10ft power cord with plug, a hidden built in sockets, a spring loaded hook, and a Silicone gaskets for damp location use. Optional accessories sold separately. Up to 10 LED Work Lights can be powered per one 120V AC tap. DLC approved. UL listed for outdoor damp location.

Specifications

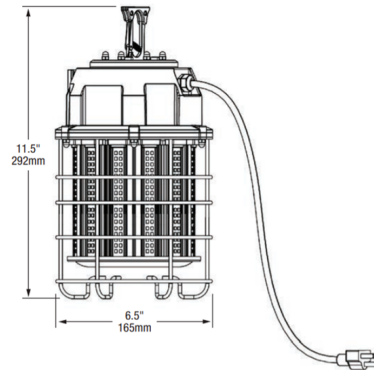
COLOR	Orange
BODY FINISH	Stainless Steel
WATTAGE	100W
DIMMER	Not Dimmable
DIMENSIONS	6.5"W x 11.5"H
INTEGRATED LED MODULE	1 x LED/100W/120V LED

Technical Information

COLOR RENDERING	80 CRI
LAMP COLOR	5000K
LUMENS/WATT	125.00
LUMINOUS FLUX	12500 lumens



Shown in stainless steel / orange



CLICK TO VIEW PRODUCT

Notes: